

## AXIOM™ Dual-Voltage Thermal Carafe Coffee Brewer



**Model AXIOM-DV-TC**  
(thermal carafe sold separately)  
Dimensions: 17.9" H x 9" W x 18.5" D  
(44.8cm H x 22.9cm W x 47cm D)

### Features

#### AXIOM Dual-Voltage Thermal Carafe Coffee Brewer

- Easily convertible by flipping a switch to:
  - 120 volt, 12.5 amp
  - 120/208 volt, 13 amp
  - 120/240 volt, 15 amp
- Brews 4.2 to 7.5 gallons (15.7 to 28.4 litres) of perfect coffee per hour.
- Accepts thermal carafe up to 8.5" tall (21.6 cm).
- Use in quick turn environments where high quality coffee is continuously refreshed.
- Adjusts automatically to varying water pressure.
- For high lime areas, BrewLOGIC™ technology calculates flow rate and adjusts brew time to maintain consistent pot levels.
- BrewWIZARD™ technology simplifies brewer programming with a LCD display. Set brew level, pulse brew, cold brew lock-out and tank temperature from the front of the machine.
- Electronic diagnostics and built in tank drain make service easier.
- Ensures coffee brew quality with cold brew lock out capability.
- SplashGard® funnel deflects hot liquids away from the hand.
- Coffee extraction controlled with pre-infusion, pulse brew and digital temperature control.
- Energy-saver mode reduces tank temperature during idle periods.
- Hot water faucet.

For current specification sheets and other information, go to [www.bunn.com](http://www.bunn.com).

### Related Products

#### Easy Clear® EQ-17-TL

Product No. : 30200.1000

Dimensions:

12<sup>7</sup>/<sub>16</sub>" H x 2<sup>1</sup>/<sub>2</sub>" W x 3" D  
31.6 cm H x 6.35 cm W x 7.62 cm D



#### Easy Clear® ED-17-TL

Product No. : 30201.1001

Dimensions: 8<sup>1</sup>/<sub>4</sub>" H x 2<sup>5</sup>/<sub>16</sub>" Dia.

20.95 cm H x 5.87 cm Dia.

#### Paper Filter Pack

Product No. : 20115.0000

Packed per case: 1,000

Dimensions: 4<sup>1</sup>/<sub>4</sub>" Base x 2<sup>3</sup>/<sub>4</sub>" Sidewall

10.8 cm Base x 6.98 cm Sidewall



#### Thermal Carafe

Product No. : 36029.0001

Dimensions: 8"H x 6.4"W x 8.2"D  
(20.3cm H x 16.3cm W x 21cm D)



#### Thermal Carafe (orange lid)

Product No.: 36252.0001

Dimensions: 8"H x 6.4"W x 8.2"D  
(20.3cm H x 16.3cm W x 21cm D)



#### Model

AXIOM-DV-TC

#### Agency Listing



## Dimensions & Specifications

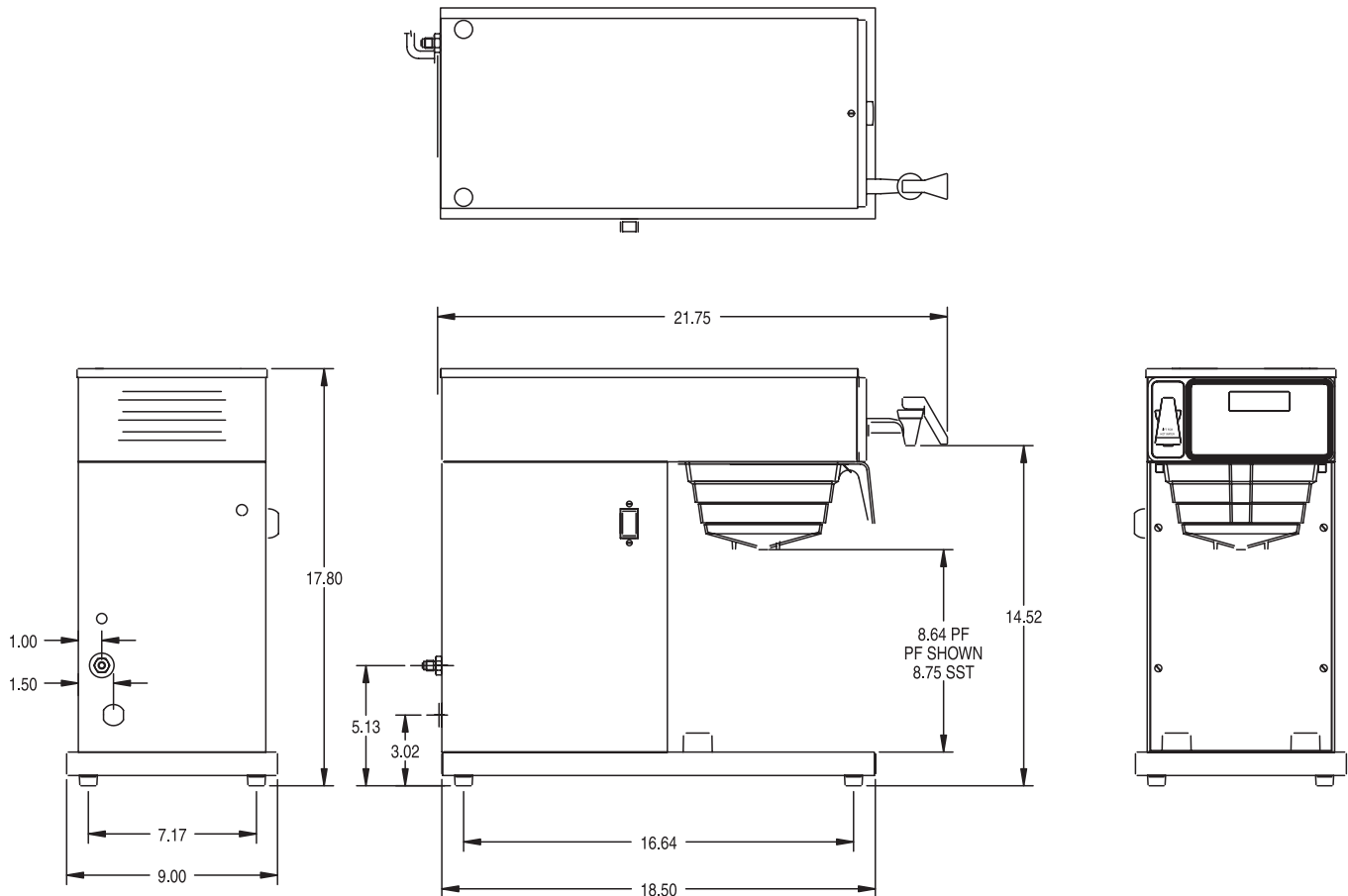
Model	Product #	Volts	Amps	Tank Heater Watts	Total Watts	Brewing Capacity	Cu. Ft.	Shipping Weight	Cord Attached
AXIOM-DV-TC	38700.0011	120	12.5	1425	1500	4.2 gal./hr.	4.3	30 lbs.	Yes
		120/208	13	2620	2680	7.5 gal./hr.			
		120/240	15	3500	3550	7.5 gal./hr.			

**Brewing capacity:** based upon incoming water temp of 60°F (140°F rise) per 1/2 gallon brew time of 4 minutes.

**Electrical:** If wired for 120V, requires 2-wires plus ground service rated 120V, single phase, 60 Hz.

If wired for 120/208V or 120/240V, requires 3-wires plus ground service rated 120/208V or 120/240V, single phase, 60 Hz.

**Plumbing:** 20-90 psi (138-621 kPa). Supplied with 1/4" male flare fitting.



Bunn-O-Matic® Corporation - 1400 Stevenson Drive Springfield, Illinois 62703 • 800-637-8606 • 217-529-6601 • Fax 217-529-6644 • www.bunn.com

BUNN® practices continuous product research and improvement. We reserve the right to change specifications and product design without notice. Such revisions do not entitle the buyer to corresponding changes, improvements, additions or replacements for previously purchased equipment.

All dimensions shown in inches.

10/09 © Bunn-O-Matic Corporation