

Thermal Carafe Automatic Coffee Brewer



Model CWTF15-TC*

(no warmers) (thermal carafe sold separately)
 Dimensions: 17.9" H x 9" W x 18.5" D
 (45.5cm H x 22.9cm W x 55.4cm D)



Model CDBCF15-TC

(no warmers) (thermal carafe sold separately)
 Dimensions: 17.9" H x 9" W x 18.5" D
 (45.5cm H x 22.9cm W x 55.4cm D)

Features

12 Cup Automatic Coffee Brewer

- Brews 3.8 to 7.5 gallons (14.4 to 28.4 litres) of perfect coffee per hour.
- Accepts thermal carafe up to 8.5" tall (21.6cm).
- Use in quick turn environment where high quality coffee is continuously refreshed.
- Models are space saving 9" wide (22.9cm).
- All stainless steel construction.
- Hot water faucet on all models.
- SplashGard® funnel deflects hot liquids away from the hand.
- CWTF model has pourover feature.

CDBCF Features

- Automatically adjusts to varying water pressure.
- Quicker install with pot level, cold brew lock-out and tank temperature set using the simple-to-program touch pad controls.
- Faster service by use of feedback information from built-in electronic diagnostics.

For current specification sheets and other information, go to www.bunn.com.

* International models may vary in appearance.

Related Products

Easy Clear® EQ-17-TL

Product No. : 30200.1000
 Dimensions:
 12⁷/₁₆" H x 2⁷/₂" W x 3" D
 31.6 cm H x 6.35 cm W x 7.62 cm D



Thermal Carafe

Product No. : 36029.0001
 Dimensions: 8"H x 6.4"W x 8.2"D
 (20.3cm H x 16.3cm W x 21cm D)



Thermal Carafe (orange lid)

Product No.: 36252.0001
 Dimensions: 8"H x 6.4"W x 8.2"D
 (20.3cm H x 16.3cm W x 21cm D)



Paper Filter Pack

Product No. : 20115.0000
 Packed per case: 1,000
 Dimensions: 4¹/₄" Base x 2³/₄" Sidewall
 10.8 cm Base x 6.98 cm Sidewall



Model	Agency Listing
CW15-TC	UL NSF
CWTF15-TC	UL NSF
CWTF20-TC	UL NSF
CDBCF15-TC	UL NSF
CWTF-TC DV	UL NSF

Dimensions & Specifications

Model	Product #	Volts	Amps	Tank Heater Watts	Total Watts	Brewing Capacity	Cubic Measure	Shipping Weight	Cord Attached
CW15-TC	23001.0040	120	11.4	1320	1370	3.8 gal./hr.	5.0 ft ³	28 lbs.	Yes**
CWTF15-TC	12950.0360	120	11.4	1320	1370	3.8 gal./hr.	4.4 ft ³	32 lbs.	Yes**
CWTF20-TC	12950.0380	120	15.4	1800	1850	5.1 gal./hr.	4.6 ft ³	31 lbs.	No
CWTF35-TC	12950.0379	120/ 208-240	15	3500	3550	7.5 gal./hr.	4.4 ft ³	32 lbs.	No
CWTF-TC DV	23001.0069	120	11.4	1370	1370	3.8 gal./hr.	3.7 ft ³	29 lbs.	No
		120/208	11.4	2340	2340	6.5 gal/hr.	3.7 ft ³	29 lbs.	No
		120/240	13.1	3100	3100	7.5 gal/hr.	3.7 ft ³	29 lbs.	No
CDBC15-TC*	29000.0107	120	12.5	1425	1500	4.5 gal./hr.	4.3 ft ³	30 lbs.	Yes**
CDBC15-TC DV	29000.0233	120	14.2	1425	1700	4.5 gal./hr.	4.3 ft ³	30 lbs.	No

* Stainless steel funnel **Power cord (NEMA 5-15P) 15 Amp-120V machine only.

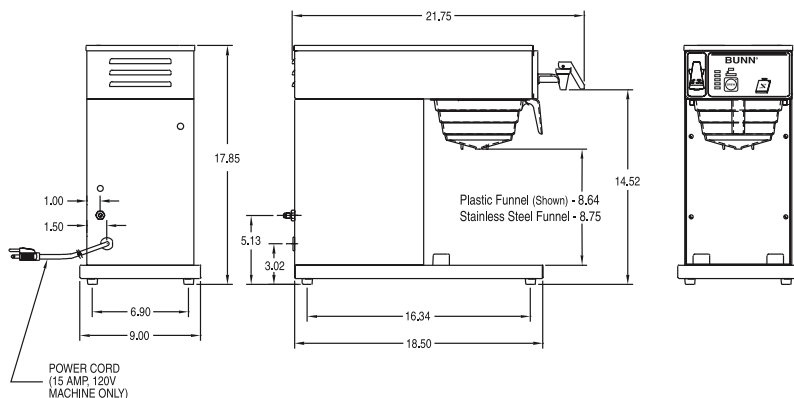
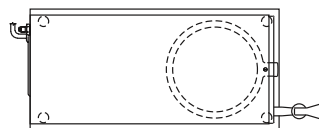
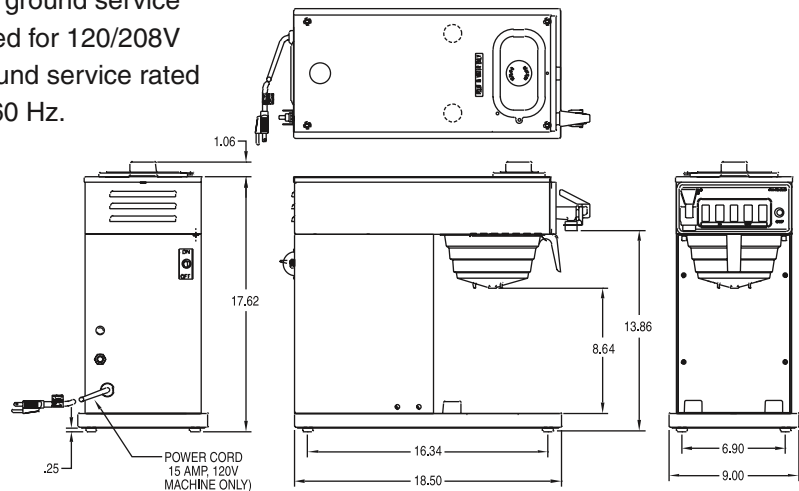
Brewing capacity: based upon incoming water temp of 60°F/15°C (140°F/60°C rise) per 1/2 gallon brew time of 4 minutes.

Models listed as 120/208V or 120/240V must be connected to 208V or 240V electrical service respectively. Please refer to the installation manual.

Electrical: If wired for 120V, requires 2-wires plus ground service rated 120V, single phase, 60 Hz. If wired for 120/208V or 120/240V, requires 3-wires plus ground service rated 120/208V or 120/240V, single phase, 60 Hz.

Plumbing: 20-90 psi (138-621 kPa). Machine supplied with 1/4" male flare fitting.

CWTF15-TC
CWTF35-TC
CWTF-TC DV



CDBC15-TC

BUNN Corporation - 1400 Stevenson Drive Springfield, Illinois 62703 • 800-637-8606 • 217-529-6601 • Fax 217-529-6644 • www.bunn.com

BUNN® practices continuous product research and improvement. We reserve the right to change specifications and product design without notice. Such revisions do not entitle the buyer to corresponding changes, improvements, additions or replacements for previously purchased equipment.

All dimensions shown in inches. Bunn Corporation owns all copyrights relating to materials in this publication. Please contact Bunn Corporation to request permission to reproduce any portion of this publication.